

Hygienic Conduit Fittings Stainless Steel



Stainless Steel Hygienic Conduit Fittings

- For applications in manufacturing and packaging of food and pharmaceuticals, cleanroom technology, biotechnology, chemical industry.
- Smooth finish prevents harmful microorganisms from stick to the surface.
- No threads are exposed.
- Seal material according to FDA guideline 21 CFR 177.2600.
- Cleaning of conduit fittings is easier, faster and less expensive.
- Upper protective cap avoids dirt to enter system.
- Locknut included.

Technical Details

Material	Body and Cap	Stainless steel 1.4305(AISI 303)	
	Locknut	Stainless steel 1.4305(AISI 303)	
	Seal	TPE, according to FDA guideline 21 CFR 177.1210	
	Pressure Ring	PA6 (Polyamide 6)	
	O-ring	NBR	
	Ferrule	Brass	
Ingress Protection Rating	IP 65, IP 66		
UL Environmental Rating	TYPE 1, 2 , 4 , 4X, 12, 12K, 13 acc. to UL 50E		
Operating Temperature	Permanent	-20 °C to +100 °C	Intermittent
			-40 °C to +150 °C
Thread Type	<ul style="list-style-type: none"> • Metric EN 60423 • NPT ANSI B1.20.1 		

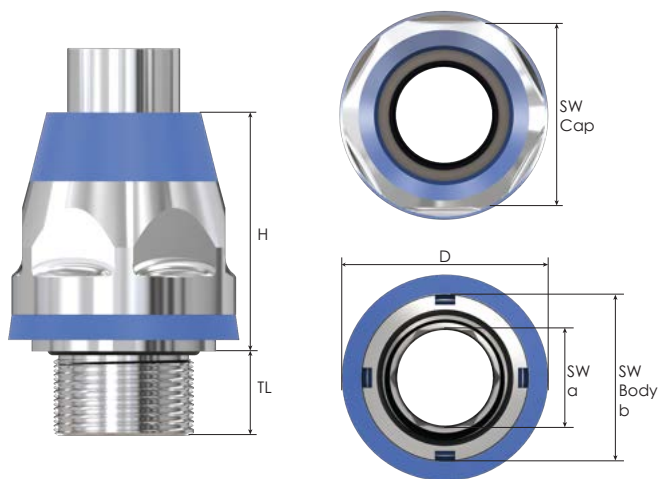
Remarks	<ul style="list-style-type: none"> • O-ring available in Metric threads. • For assembly from outside only, special tool is available on request. • Smooth finish prevents harmful microorganisms to adhere to the surface. • No threads are exposed. • Cleaning of fittings is easier, faster and less expensive compared to traditional stainless steel conduit fittings. • Suitable for high-pressure steam cleaning. • Other steel grades on request.
----------------	---

Approvals	Certificate Number	Standards
	E507026	UL514B CSA22.2 No 18.3-12 CSA22.2 No 94.2-1S UL50E
	C0489629	NSF/ANSI 169 NSF/ANSI/3-A 14159-1

For more approvals: see our webpage.



Hygienic Conduit Fittings, Stainless Steel



*Locknut is included. Not shown in the drawings.

Thread Type METRIC acc. to EN 60423									
Outer Thread Size (Male)	For Seallite Nominal Size	Outer Thread Length	Spanner Width	Allen Screw	Crescent Wrench	Outer Ø	max. Height	Spanner Width Locknut	Part Number
		TL mm	SW Cap mm	SW a mm	SW Body b mm	D mm	H mm	SW mm	
M16x1,5	3/8"	11,5	27	11	24	31,1	39,0	19	BMHF1-01-L
M20x1,5	1/2"	13,0	30	14	27	34,0	39,5	24	BMHF1-02-L
M25x1,5	3/4"	15,0	36	19	33	41,0	44,5	30	BMHF1-03-L
M32x1,5	1"	15,0	46	25	42	52,7	53,5	36	BMHF1-04-L
M40x1,5	1 1/4"	16,0	54	32	50	62,0	61,5	46	BMHF1-05-L
M50x1,5	1 1/2"	18,0	63	36	58	70,0	65,5	60	BMHF1-06-L
M63x1,5	2"	20,0	77	48	72	84,6	70,5	70	BMHF1-07-L

Thread Type NPT acc. to ANSI ASME B1.20.1									
Outer Thread Size (Male)	For Seallite Nominal Size	Outer Thread Length	Spanner Width	Allen Screw	Crescent Wrench	Outer Ø	max. Height	Spanner Width Locknut	Part Number
		TL mm	SW Cap mm	SW a mm	SW Body b mm	D mm	H mm	SW mm	
NPT 3/8"	3/8"	15,3	27	11	24	31,1	39,0	24	BNHF1-01-L
NPT 1/2"	1/2"	19,9	30	14	27	34,0	39,5	24	BNHF1-02-L
NPT 3/4"	3/4"	20,2	36	19	33	41,0	44,5	35	BNHF1-03-L
NPT 1"	1"	25,0	46	24	42	52,7	53,5	46	BNHF1-04-L
NPT 1 1/4"	1 1/4"	25,6	54	31	50	62,0	61,5	55	BNHF1-05-L
NPT 1 1/2"	1 1/2"	26,0	63	36	58	70,0	65,5	60	BNHF1-06-L
NPT 2"	2"	26,9	77	46	72	84,6	70,5	74	BNHF1-07-L

Hygienic Conduit Fitting Tightening Tools

• Recommended tools

Tightening Tools

For Fitting Size	Allen Screw	Crescent Wrench
	SW a mm	SW Body b mm
M16, NPT 3/8"	11	24
M20, NPT 1/2"	14	27
M25, NPT 3/4"	19	33
NPT 1"	24	42
M32	25	42
NPT 1 1/4"	31	50
M40	32	50
M50	36	58
NPT 2"	46	72
M63	48	72

